



# **KNAAP BIKES**

**KNAAP BIKE AMS**

**USER MANUAL**



**[WWW.KNAAPBIKES.COM](http://WWW.KNAAPBIKES.COM)**

© Copyright KNAAP BIKES

## 1. INTRODUCTION 6

---

- 1.1 About this user manual 6
- 1.2 Typographic conventions 7
- 1.3 Additional documentation 7
- 1.4 Contact details 8

## 2. ASSEMBLING THE BIKE 9

---

- 2.1 Product elements 9
- 2.2 Installing the bike components 13
  - 2.2.1 What is in the box? 13
  - 2.2.2 Installing the front mudguard 14
  - 2.2.3 Installing the front wheel 15
    - 2.2.3.1 Installing the quick release axle in the front wheel 15
    - 2.2.3.2 Installing the front wheel in the front fork 17
  - 2.2.4 Installing/adjusting the handlebar 21
  - 2.2.5 Installing the pedals 24

<b>3 SAFETY</b>	<b>25</b>
3.1 Safety notes - eBike safety fundamentals	25
3.2 Safety notes - eBike battery and charger	26
<b>4 RIDING THE BIKE</b>	<b>27</b>
4.1 Using the battery	27
4.1.1 Installing the battery	28
4.1.2 Charging the battery	29
4.1.3 Removing the battery	31
4.1.4 Storing the battery	32
4.1.5 Battery status LEDs	32
4.2 Using the brakes	34
4.3 Using the speed control system (with LCD display)	35
4.3.1 Functions	38
4.3.1.1 Display setting mode	39
4.3.1.2 Advanced settings	42
4.3.1.3 Power indicator function	45
4.3.1.4 Distance function	45

# TABLE OF CONTENT

4.3.1.5	Walk assist function	46
4.3.1.6	Rear and front light	46
4.3.1.7	Error codes	47
4.4	Using the gear shifter	48
4.5	Using the lighting system	50
4.5.1	Front light and rear light	50
4.5.2	Reflectors	50
4.6	RECOMMENDATIONS FOR FIRST-TIME EBIKE RIDERS	51
4.6.1	Getting acquainted with the bike	51
4.6.2	Mechanical safety check before riding	52
<b>5</b>	<b>MAINTENANCE</b>	<b>54</b>
5.1	Cleaning the bike	55
5.2	Adjusting the chain tension	57
5.3	Adjusting the brakes	58
5.4	Lubricating the bike	61
5.5	Maintenance schedule	65
5.6	Torque settings	68

<b>6 TRANSPORT AND STORAGE</b>	<b>69</b>
6.1 Transporting the bike and the battery	69
6.1.1 Transporting the bike	69
6.1.2 Transporting the battery	70
6.2 Storing the bike	70
<b>7 PROBLEM SOLVING</b>	<b>72</b>
<b>8 ENVIRONMENT AND DISPOSAL</b>	<b>79</b>
8.1 Disposal of electronic components	79
8.2 Disposal of packaging material	80
<b>9 DISCLAIMER</b>	<b>81</b>
<b>10 TECHNICAL DATA</b>	<b>82</b>
<b>11 MAINTENANCE FORMS</b>	<b>83</b>

## 1. INTRODUCTION

### 1.1 ABOUT THIS USER MANUAL



This user manual is primarily intended for the Knaap bike owner. Make sure that you read and understand this manual and the safety instructions contained herein before using the Knaap bike. Failure to do so can result in serious injury or death.

Obey all instructions. This will avoid the risk of fire, explosions, electric shocks and other hazardous situations that can result in damage to property and/or severe or fatal injuries. The Knaap bike is equipped with a lithium-battery. Please make sure that you read and understand all safety precautions when charging and using the battery of your Knaap bike.

Keep all safety information and user instructions for future reference. The manufacturer cannot be held liable for any material damage or personal injury caused by incorrect handling of the Knaap bike or not obeying the safety instructions. Using the Knaap bike for other than its intended purpose, not maintaining the bike properly and replacing components by non-original components will void any warranty claims.

## 1.2 TYPOGRAPHIC CONVENTIONS

The following symbols are used in this user manual:

### **▲ DANGER**

Danger indicates a hazardous situation that, if not avoided, will result in death or serious injury.

### **▲ WARNING**

Warning indicates a hazardous situation that, if not avoided, may result in death or serious injury.

### **▲ CAUTION**

Caution indicates a hazardous situation that, if not avoided, may result in minor or moderate injury.

### **NOTICE**

Notice indicates information considered important, but not hazard-related.

## 1.3 ADDITIONAL DOCUMENTATION

- Documentation of the Bafang C961 display
- Documentation of the Bafang rear wheel drive unit
- Documentation of the Samsung 36V 21Ah battery
- Documentation of the Shimano 7-speed shifter

## 1.4 CONTACT DETAILS

This is the original English user manual. The latest version of this manual is available at: [www.knaapbikes.com](http://www.knaapbikes.com). Manuals in other languages are available upon request. Should you have any questions, or if you need technical assistance or information about special tools and materials, or if you would like to order spare parts, please contact: [support@knaapbikes.com](mailto:support@knaapbikes.com)

Send us any feedback you may have by visiting our website or sending us an e-mail. We appreciate your comments!

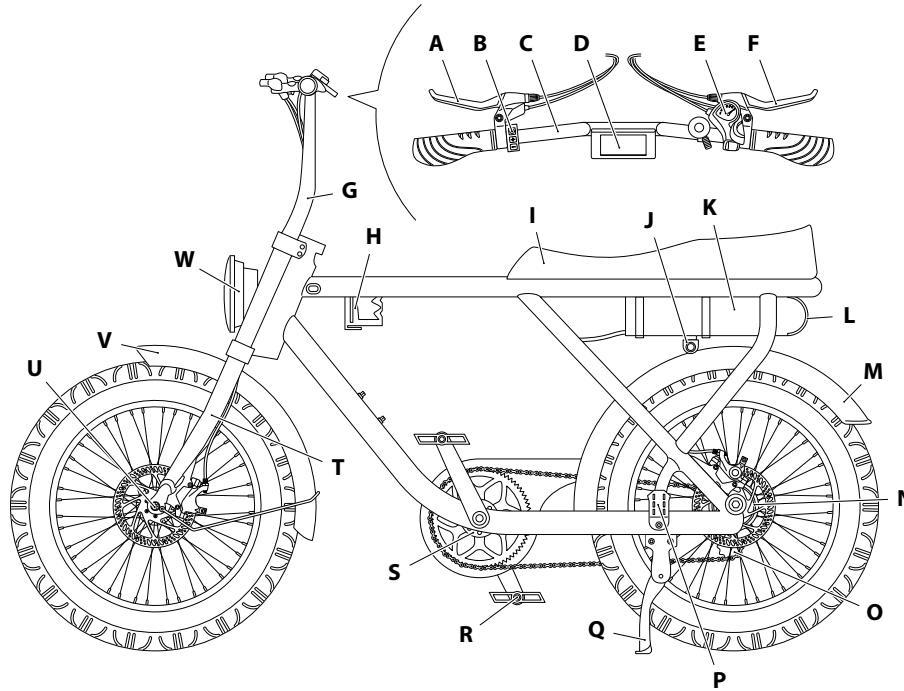
### **Technical support**

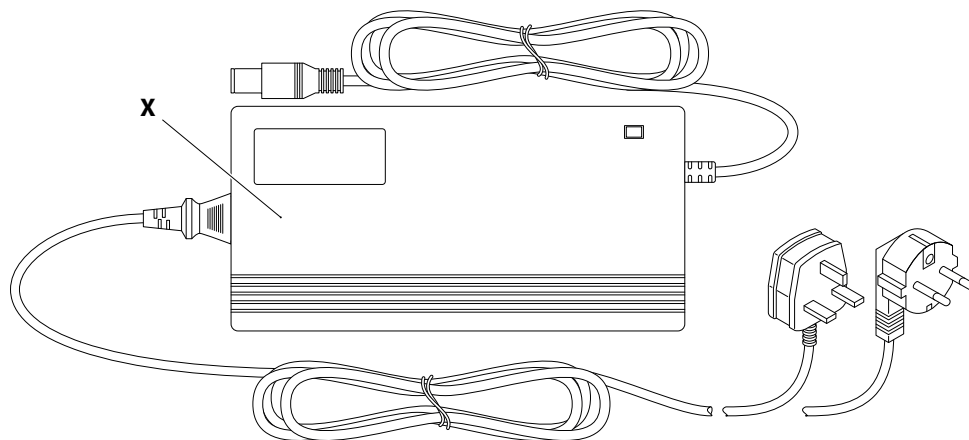
Should you need technical support, please contact your local Knaap retailer or [support@knaapbikes.com](mailto:support@knaapbikes.com).



## 2. ASSEMBLING THE BIKE

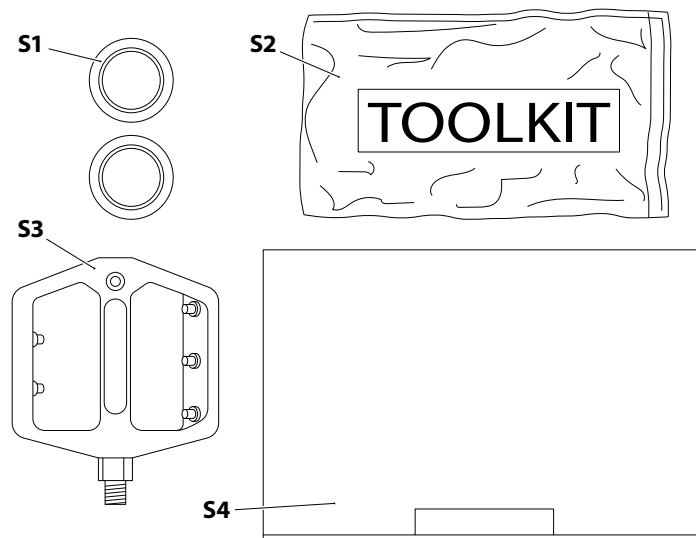
### 2.1 PRODUCT ELEMENTS





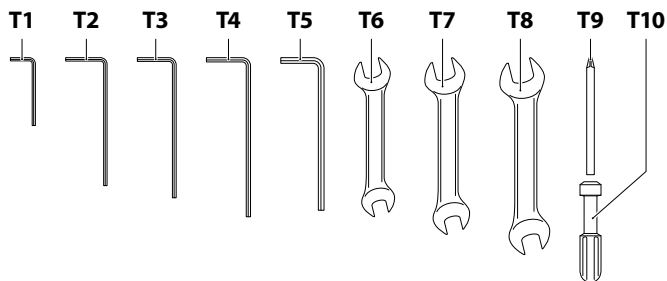
- |           |   |           |                      |           |                     |
|-----------|---|-----------|----------------------|-----------|---------------------|
| <b>A.</b> | Brake   | <b>H.</b> | Mug holder           | <b>Q.</b> | Bike stand          |
| <b>B.</b> | Power Button, Speed controller and light button | <b>I.</b> | Saddle               | <b>R.</b> | Pedal               |
| <b>C.</b> | Handlebar                                       | <b>J.</b> | Battery lock         | <b>S.</b> | Pedal assist sensor |
| <b>D.</b> | LCD console                                     | <b>K.</b> | Battery              | <b>T.</b> | Front fork          |
| <b>E.</b> | Gear shifter                                    | <b>L.</b> | Rear light/reflector | <b>U.</b> | Quick release axle  |
| <b>F.</b> | Brake   | <b>M.</b> | Rear mudguard        | <b>V.</b> | Front mudguard      |
| <b>G.</b> | Stem  | <b>N.</b> | Rear hub motor       | <b>W.</b> | Headlight           |
|           |   | <b>O.</b> | Deraillleur          | <b>X.</b> | Charger             |
|           |   | <b>P.</b> | Passenger foot rest  |           |                     |

## Spare part box



- S1** Rubber dust covers
- S2** Toolkit (see *Toolkit*)
- S3** Pedals
- S4** Charger

### Toolkit



- T1** Allen key 3mm (to adjust the power button, speed controller and light button ⑥)
- T2** Allen key 4mm (to adjust the LCD console ⑦)
- T3** Allen key 4,5mm (to adjust the passenger

- foot rest ⑧ and install the mudboard ⑨)
- T4** Allen key 5mm (to adjust the handlebar and brakes)
- T5** Allen key 6mm
- T6** Wrench 8 (to install the mudboard ⑨)

- T7** Wrench 13/15 (to mount the pedals ⑩)
- T8** Wrench 17/19
- T9** Screwdriver
- T10** Socket for screwdriver

## 2.2 INSTALLING THE BIKE COMPONENTS

### ⚠ CAUTION

An overview of all torque values can be found in *section 5.6 Torque settings*.

### 2.2.1 WHAT IS IN THE BOX?

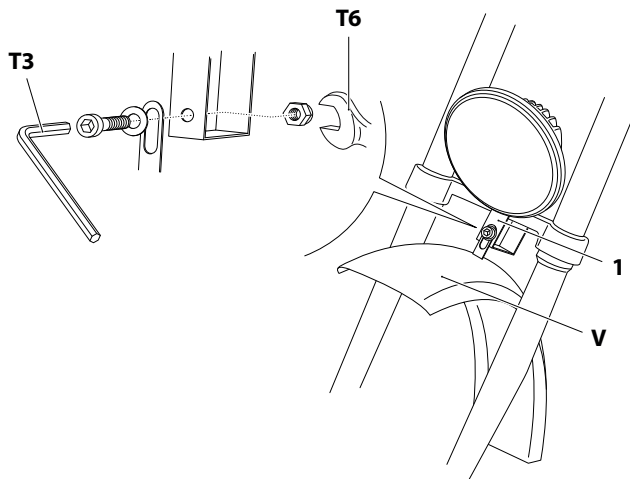
1. Open the packaging and remove the bike, the charger and the parts box.
2. Do a visual inspection of the packaging contents:
  - Bike **NOTICE** The front mudguard, front wheel, handlebar and pedals are still to be mounted.
  - Parts box
  - Toolkit
  - User manual
3. Remove the foam sleeves from the bike and discard them in accordance with your local waste disposal regulations.

### 2.2.2 INSTALLING THE FRONT MUDGUARD

#### Tools/Material required:

- Front mudguard ⑤
- Allen key 4.5 mm ③
- Wrench 8 ⑥

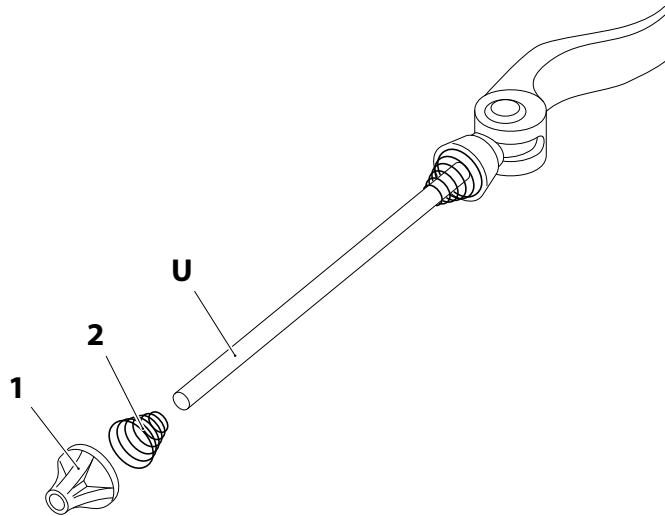
1. Remove the **front mudguard** ⑤ from the packaging.
2. Attach the **front mudguard** ⑤ onto the **hanger** ① with the **allen key** ③ and **wrench** ⑥.



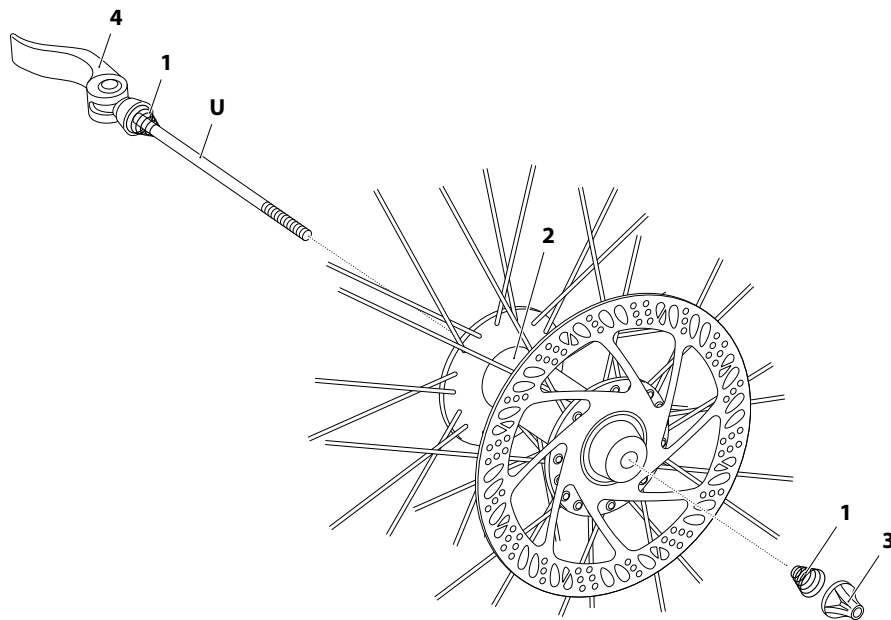
## 2.2.3 INSTALLING THE FRONT WHEEL

### 2.2.3.1 INSTALLING THE QUICK RELEASE AXLE IN THE FRONT WHEEL

1. Remove the **quick release axle** ① attached to the **front wheel**.
2. Remove the **end nut** ① and the **cone-shaped spring** ② from the **quick release axle** ①.



3. Put the **quick release axle** ① into the **hollow hub** ②:
  - a. Make sure that you insert the **quick release axle** ① from the non-driver side.
  - b. Make sure that the **cone-shaped springs** ① are on each side of the wheel.
4. Install the **end cap** ③ on the **quick release axle** ① and tighten it from the driver's side using the **quick release lever** ④. Do not fully tighten yet.

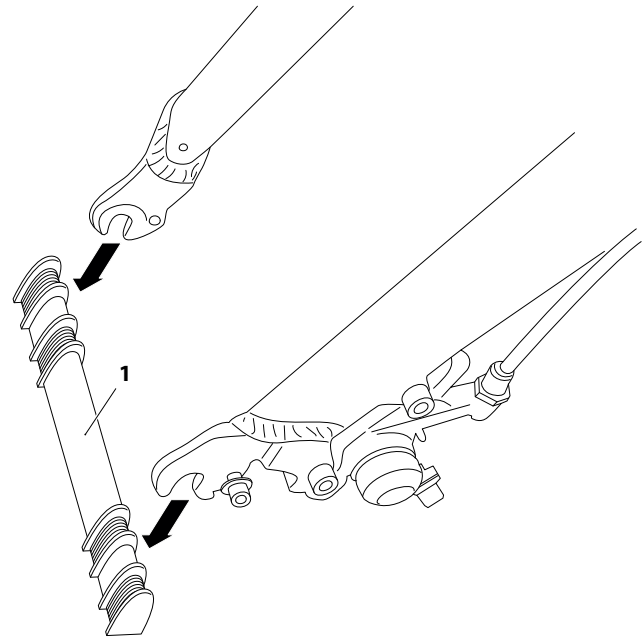




## 2.2.3.2 INSTALLING THE FRONT WHEEL IN THE FRONT FORK

### Tools/Material required:

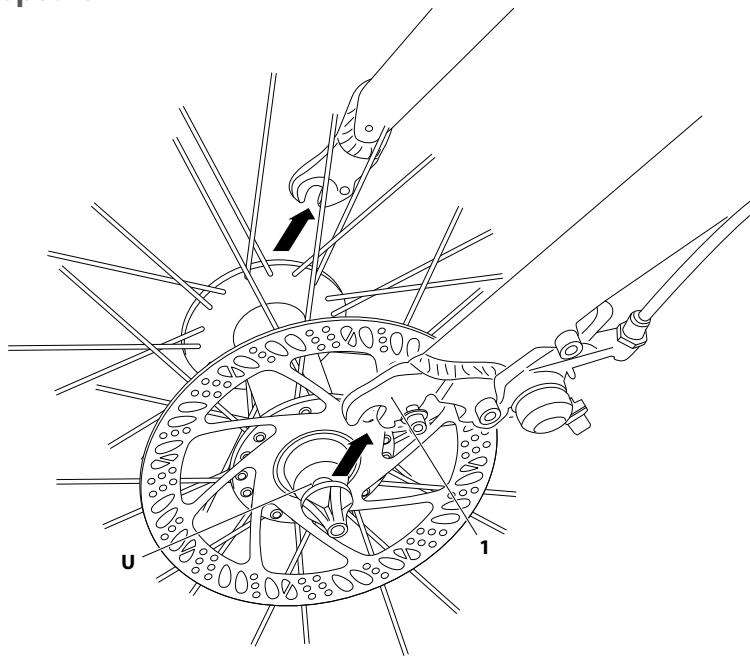
- Allen key 4.5mm ①③
1. Make sure that the foam protection sleeves are removed from the handlebar.
  2. Remove the **front fork spacer** ①.



3. Put the **quick release axle** ① into the **front fork dropouts** ①.

**CAUTION**

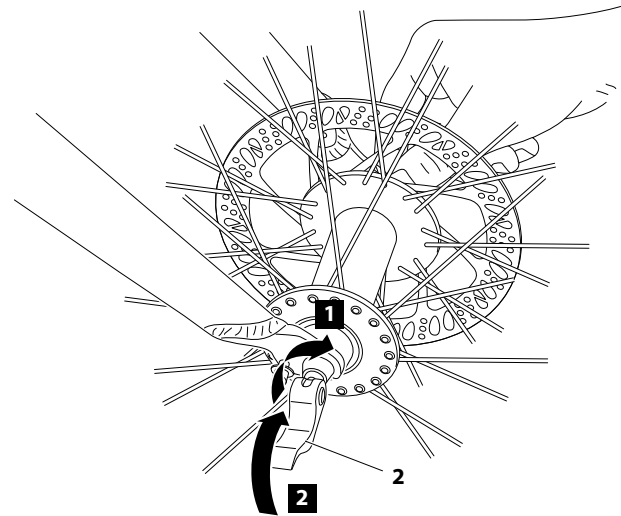
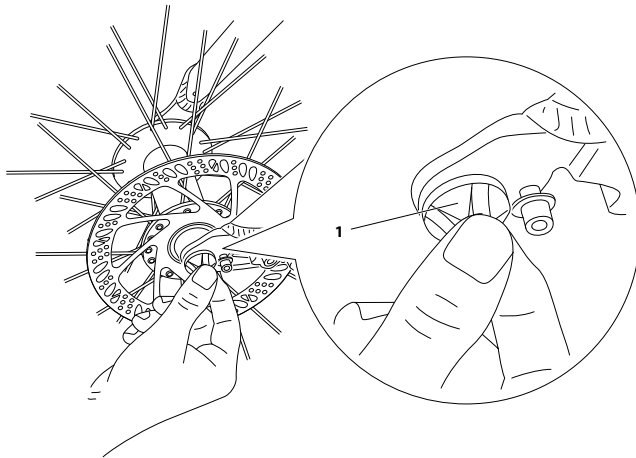
**Risk of injury. The front wheel axle must be fully seated into the dropouts. If the wheels are not secured in place, they can go askew or come out of the dropouts.**



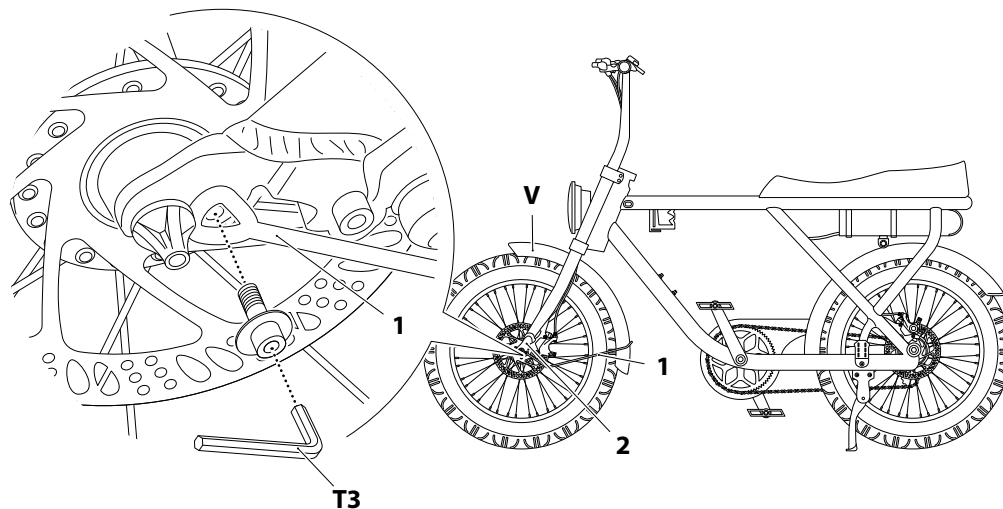
4. Hold the **end cap** ① and turn and tighten the **quick release lever** ②.
5. Tighten the **end cap** ①, close the **quick release lever** ②.

## ⚠ CAUTION

The quick release lever must fully close. Otherwise the wheel can come loose, causing serious injury.



6. Mount the **wire stay** ① onto the **front mudguard** ④ and attach it at both sides of the **front wheel axle** ② with the **allen key** ③.



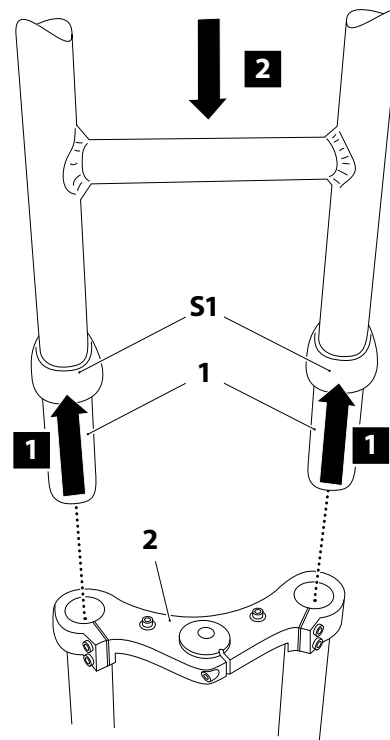
7. Make sure that the **front mudguard** ④ does not touch the front tire.

## 2.2.4 INSTALLING/ADJUSTING THE HANDLEBAR

### Tools/Material required:

- Allen key 5mm ④.

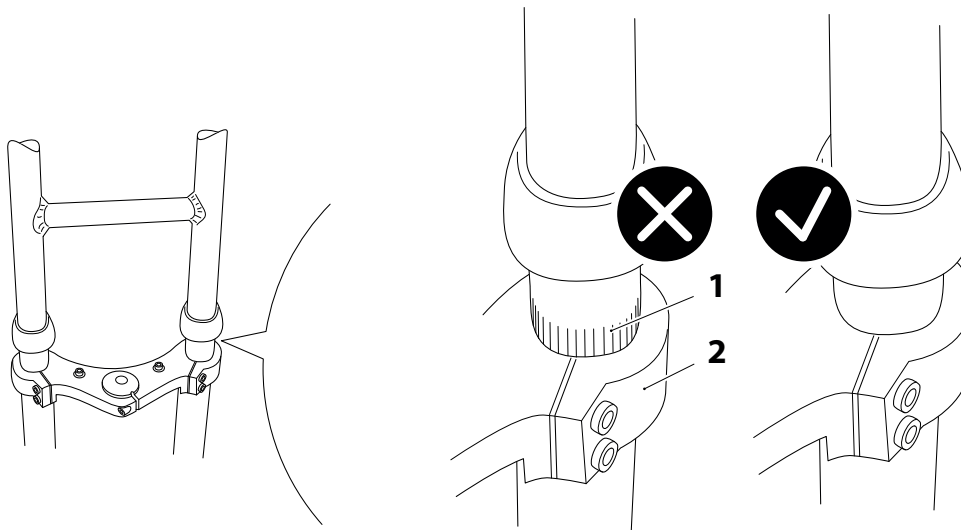
1. Remove the **handlebar** ③ from the packaging.
2. Take the **two rubber dust covers** ① from the parts box.
3. Slide the **dust covers** ① onto the lower end of each of the **handlebar stems** ①.
4. Slide the **handlebar stems** into the **bike frame** ②.



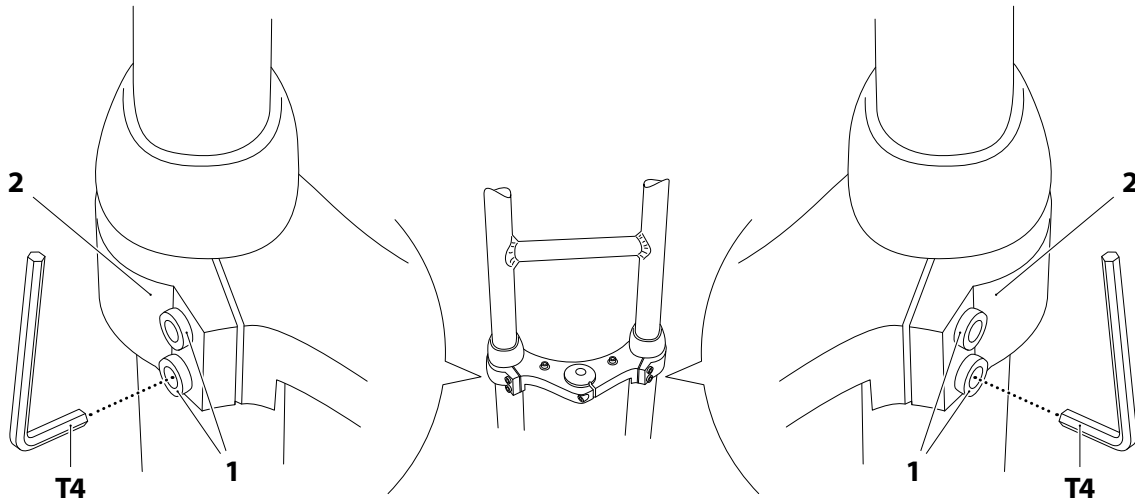
5. Make sure that the **ribbed insertion marks** ① are fully inserted into the **bike frame** ②.

**CAUTION**

**Risk of injury. The height of the handlebar stems can be adjusted to the user's preferences, but the safety mark must NOT be visible.**



6. Tighten the **bolts** ① of the **stem clamps** ② with **allen key** ④ .



## 2.2.5 INSTALLING THE PEDALS

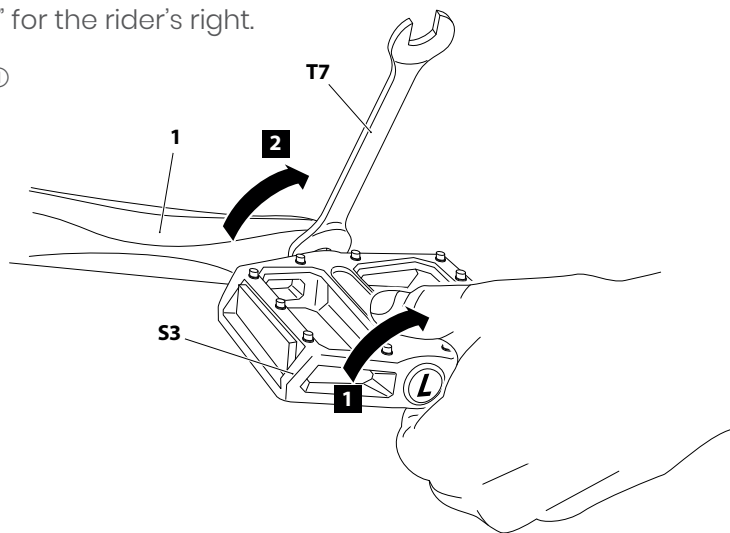
### Tools/Material required:

- Pedals ③3
- Wrench 13/15 ①7

### NOTICE

The left pedal is threaded in the opposite direction, and must be tightened by turning it counterclockwise. This is standard on most bikes.

1. Check the **pedals** ③3 before installation:  
They are labeled “L” for the rider’s left, “R” for the rider’s right.
2. Turn the **pedal** ③3 into the **crank arm** ① with your hand.  
**NOTICE** Always make sure to turn the pedal towards the front wheel.
3. Once the **pedal** ③3 becomes too difficult to turn:  
Tighten the **bolt** with the **wrench** ①7.





## 3 SAFETY

### 3.1 SAFETY NOTES – EBIKE SAFETY FUNDAMENTALS

- Always wear a helmet.
- Wear bright, highly visible clothing, preferably with reflective tape or patches.
- Obey the rules of the road. Stop at stop signs and lights.
- Stay in control:
  - Remember to use a low gear when you start off. The power comes in at the second rotation of the pedals.
  - At intersections, other drivers may not expect you to start off at speed. Wait on your eBike where you can be easily seen.
  - Before passing, look behind you for traffic, and signal before pulling out. Give enough space when passing and let the other person know by ringing your bell.
- Always ride at a safe speed that allows you to react quickly to unexpected circumstances.
- Always use your front and rear bike lights and reflectors in low-light or dark conditions.
  - Press and hold the **+** button to turn on the rear light and the front light of the bike.
  - Press and hold the **+** button again to turn on the rear light and the front light of the bike off.

- Extend the battery range by using lower power settings and pedalling more.
- Remember to charge your battery every day you use it.

### 3.2 SAFETY NOTES – EBIKE BATTERY AND CHARGER

- NEVER use a battery that seems to be damaged.
- NEVER charge a battery at temperatures below 4 °C (40 °F).
- NEVER charge a battery that has been exposed to saltwater.
- NEVER leave the battery unattended in case of indoor charging.
- NEVER charge the battery near flammable materials.
- ALWAYS use the charger that comes with your Knaap bike.
- ALWAYS charge and store the battery in a dry environment.
- NEVER charge the battery with charger cables that are damaged.

## 4 RIDING THE BIKE

### 4.1 USING THE BATTERY

#### **▲ WARNING**




- **Risk of explosion. The battery and the dock must be dry before installation. Dry the battery and the dock with a soft cloth, if required.**
- **Risk of explosion. Do NOT charge or use a battery that is damaged. If the battery is damaged, it must be discarded immediately.**

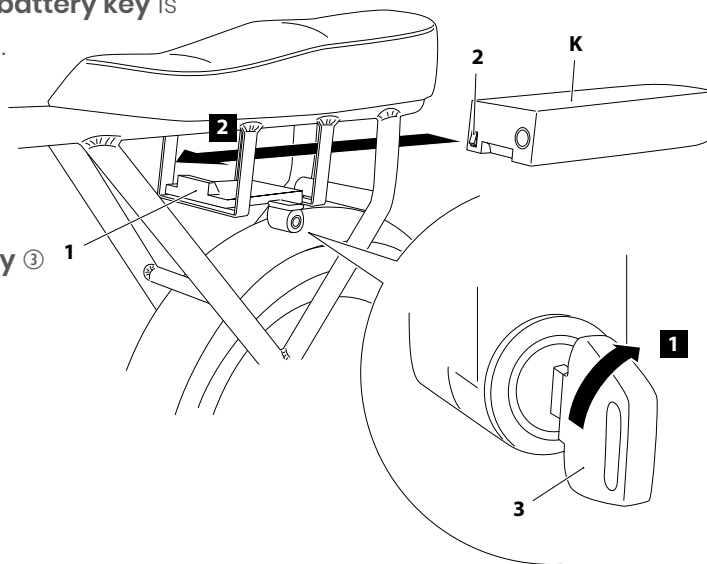
#### **TIP**

- The Knaap bike is powered by a 36 V, 21 Ah lithium-ion battery. The battery is a critical component and one of the most expensive components to replace. Make sure that you follow our recommendations to maximize the service life of your battery.
- Take into account that the battery performance and the bike range depends on quite some factors, including load, tire pressure, driving circumstances, operational temperature, the extent to which the bike rider is actively pedalling and the rider's gear shifting behaviour.

### 4.1.1 INSTALLING THE BATTERY

1. If installing the **battery**  for the first time:

- Remove the **battery**.
- Remove the packaging from the **battery** and discard the packaging in accordance with the local disposal regulations.
- Remove the **battery key**. The **battery key** is attached to the **handlebar** .
- Always make sure that the **ON/OFF button**  of the battery is in the **OFF** position.
- Insert the **battery**.
- Insert and turn the **battery key**  1 clockwise, to lock the **battery**.



#### NOTICE

When installed correctly, the battery key has a motion range of 180°.

## 4.1.2 CHARGING THE BATTERY

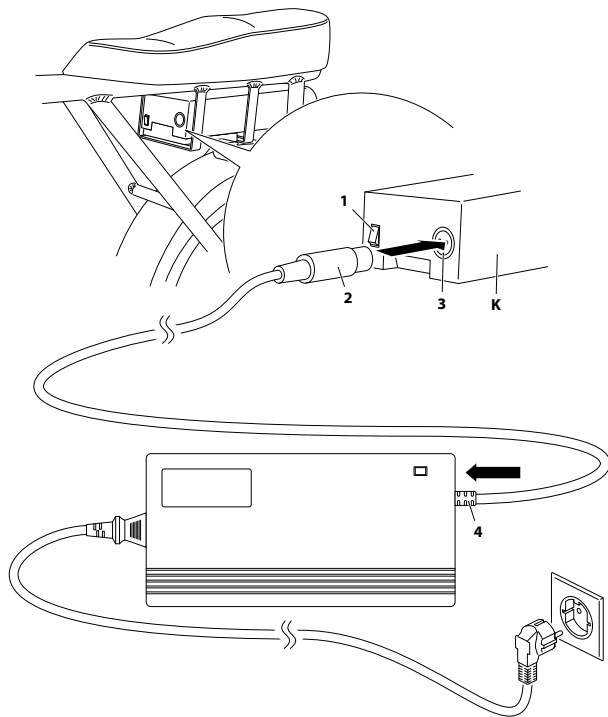
### NOTICE


- The battery can be charged directly on the bike or separately. After charging, the charger must be disconnected from the battery and the AC power socket immediately.
- Charging a new battery takes approximately 8-9 hours. If you discharge the new battery and recharge it within a week, all relevant substances within the battery are activated, which elongates the lifetime of the battery.
- Charging a battery during normal usage: When a battery is fully depleted, it takes approximately 6-8 hours to charge it.

1. Make sure that you follow the procedural steps in the sequence described below.
2. Make sure that the **ON/OFF button** ① of the **battery** ② is in the **OFF** position.
3. Connect the **output plug of the charger** ③ to the **input jack of the battery** ④.
4. Connect the **input plug of the charger** ⑤ to the charger.





**5.** Connect the **power plug** to the AC power socket:

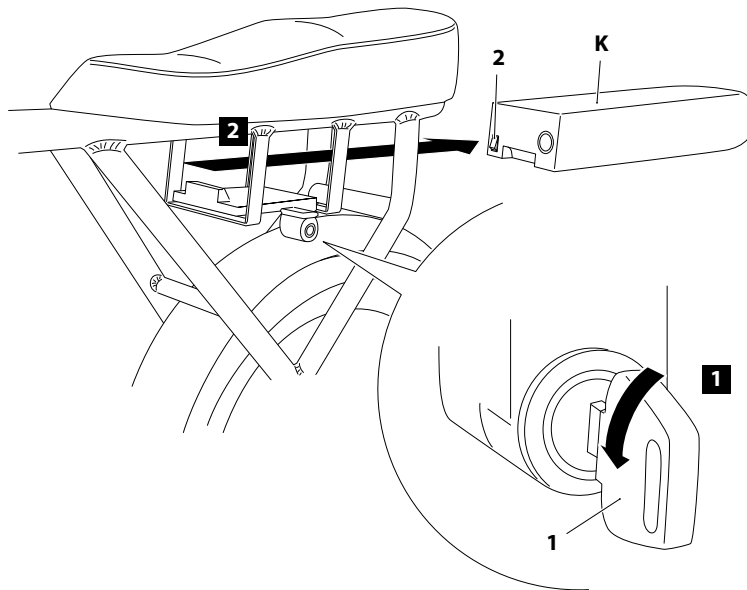
- a. The charger LED lights up **red** if the battery is partially charged or empty.
- b. The charger LED lights up **green** if the battery is fully charged.



6. When the battery is fully charged:
  - a. The **charger LED** lights up **green**.
  - b. Remove the **power plug of the charger** from the AC power socket.
  - c. Remove the **output plug of the charger** from the **battery** .

## 4.1.3 REMOVING THE BATTERY

1. Unlock the battery: Turn the **battery key**  counterclockwise.
2. Make sure that the **ON/OFF button**  of the **battery**  is in the **OFF** position.
3. Remove the **battery**  from the dock and slide it to the rear.



#### 4.1.4 STORING THE BATTERY

- Batteries should be stored at temperatures between 4 °C and 27 °C (40 °F and 80 °F) for maximum life and safety. Higher storage temperatures increase the self-discharge rate from the nominal 1-2% per month to as high as 35% per month, and can reduce battery life and increase the possibility of catastrophic failure with long term high temperature storage. Never store batteries at temperatures higher than 76°C (170 °F).
- Batteries may be stored at 100% charge if used frequently. However, for maximum life, batteries that are not used frequently should be stored at 40% to 70% charge. An easy way to bring a discharged battery into the proper long-term storage charge is to charge for about 60 minutes with the supplied charger. Batteries in long-term storage at room temperature should receive a refresh charge every three months or so.

#### 4.1.5 BATTERY STATUS LEDS

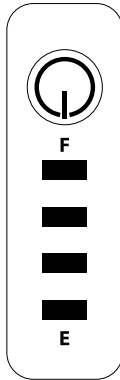
1. Press the power button on the battery:
  - a. If none of the battery status LEDs lights up: The battery is damaged. Do NOT charge the battery. If within 2 years of purchase, contact the retailer from where you purchased your Knaap Bike ([www.knaapbikes.com](http://www.knaapbikes.com)).
  - b. If 4 LEDs are lit: The battery is fully charged.
  - c. If 0 LEDs are lit: The battery is empty.



## BATTERY STATUS LEDS/POWER LED

## SIGNAL

## BATTERY CHARGE LEVEL



4 LEDs lit  
0 LEDs lit

Full  
Empty

### NOTICE

The battery status is also shown on the LCD display. See *4.3.1.3 Power indicator function* for more information.

## 4.2 USING THE BRAKES

### NOTICE

- For the UK: The rider's left brake is the rear brake and the rider's right brake is the front brake.
- For the EU: The rider's right brake is the rear brake and the rider's left brake is the front brake.

### ⚠ WARNING

**Risk of injury. There is a risk of falling over the handlebar when you only use the front brake. Hand brakes must always be used simultaneously.**

- For the EU:
  - Squeeze the **left brake** to stop the front wheel.
  - Squeeze the **right brake** to stop the rear wheel.
- For the UK :
  - Squeeze the **right brake** to stop the front wheel.
  - Squeeze the **left brake** to stop the rear wheel.
- If any of the brakes feels too loose or too tight, consider adjusting the brakes. See *section 5.3 Adjusting the brakes*.

## 4.3 USING THE SPEED CONTROL SYSTEM (WITH LCD DISPLAY)

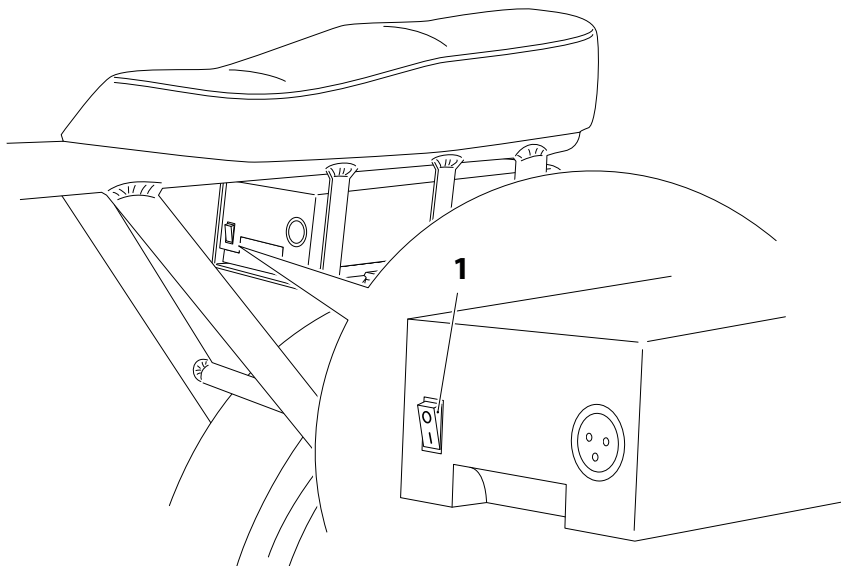
The Knaap bike comes with a speed control system. The speed control system is connected to the rear hub motor and the pedal assist sensor located on the driver-side crank arm. When you start pedalling, the pedal assist sensor detects the forward pedal rotation and after two rotations activates the motor to power your ride. The setting on the LCD display determines how much power the motor uses to assist your pedalling.

You can set five pedal assist levels: Level 0 provides no assist, level 1 is the lowest level of assist and level 5 is the highest. If you just want a little push, or if you want to extend your battery range, level 1 or 2 is recommended.

### **⚠ CAUTION**

- **Do not connect or disconnect the LCD display when the ON/OFF switch of the LCD display is ON.**
- **The LCD display is fragile. Avoid rough riding conditions and collisions.**


1. Make sure that the **ON/OFF button** ① of the battery is in the **ON** position.

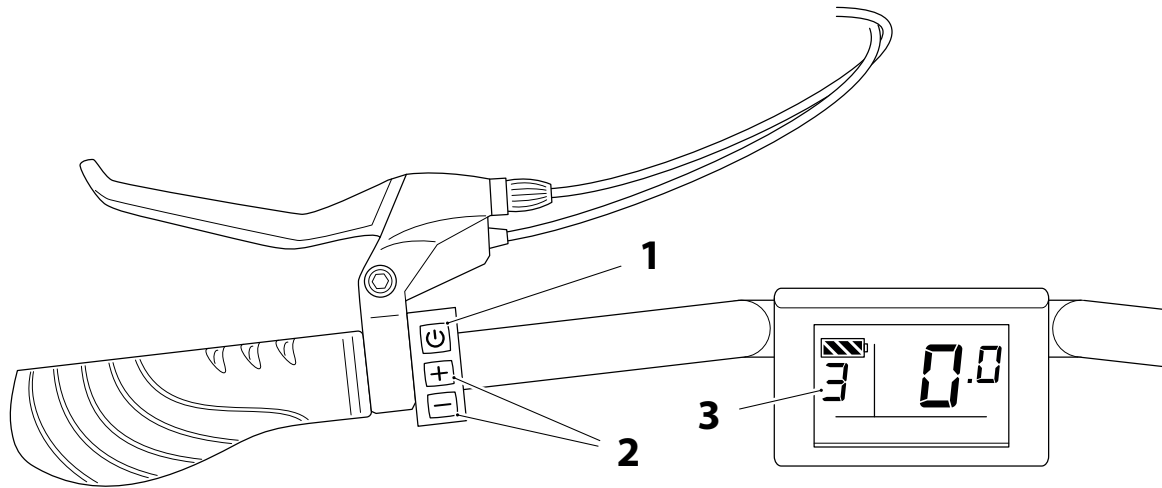



2. Press and hold the **⏻ button** of the **speed controller**. The **LCD display** lights up.

**NOTICE**

The LCD display switches off automatically after 10 minutes of inactivity (default setting).

3. Press the  button ① and use the  and  buttons ② until you reach the **level of pedal assist** ③ you want.



4. Start or continue pedalling. The rear hub motor starts providing the level of electrical power you selected at the second rotation of the pedals.
5. When you are done: Press and hold the  button of the **speed controller** to switch off the **LCD display**.





### 4.3.1 FUNCTIONS

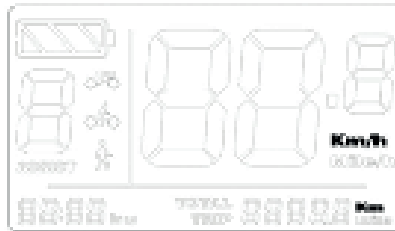
The **speed controller** and the **LCD display** of the Knaap bike give access to the following functions:


- Display setting mode
- Advanced display settings
- Power indicator
- Distance (trip and total)
- Walk assist
- Automatic bike lights
- Error codes



## 4.3.1.1 DISPLAY SETTING MODE

1. Press and hold the  **button** to switch on the display. Press and hold and the  **button** and the  **button** at the same time to set the following parameters:
  - a. **Distance measurement unit:**
    - i. Press the  **button** to set the measurement unit to km or miles.



- ii. Press the  **button** to save the new setting.
      - iii. Next is **Speed limit**.

**b. Speed limit:**

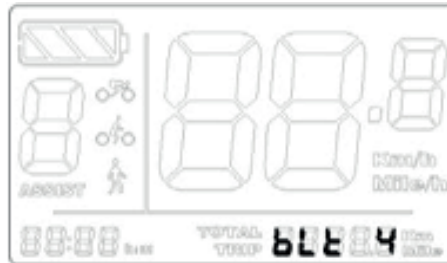
- i. Press the **+** button or the **-** button to change the speed limit **UP** or **DOWN**.



- ii. Press the **OK** button to save the new setting.  
 iii. Next is **Brightness**.

**c. Brightness:**

- i. Press the **+** button or the **-** button to change the **brightness (1- 8)**.

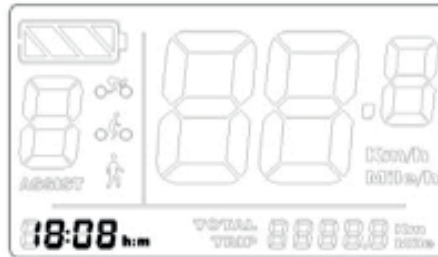


- ii. Press the **OK** button to save the new setting.  
 iii. Next is **Time setting**.



d. **Time settings:**




- i. Press the **[+] button** or the **[-] button** to change the hour.
- ii. Press the **[OK] button** to save the new setting.
- iii. Press the **[+] button** or the **[-] button** to change the minutes.
- iv. Press the **[OK] button** to save the new setting and exit this mode.



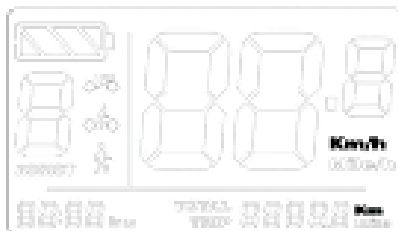
**NOTICE**




The new settings are applied after restarting the LCD display.

### 4.3.1.2 ADVANCED SETTINGS

1. Press and hold the  **button** to switch on the LCD display. Press and hold the  **button** and the  **button** at the same time to enter the **display settings mode**.

The **Distance measurement unit screen** opens.

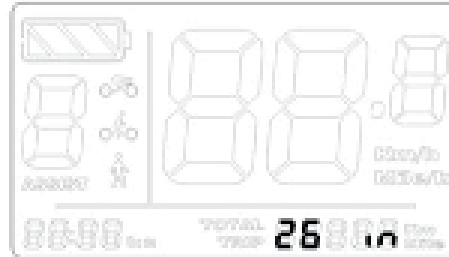


2. Press and hold the  **button** and the  **button** + push the  **button** eight times.  
The **Advanced settings menu** opens.

3. Set the following advanced settings:

a. **Wheel size:**

i. Press the **+** button or the **-** button to change the **wheel size (8 - 32 inch)**.



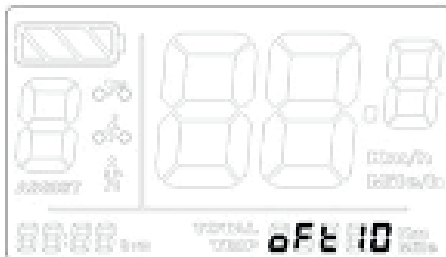
ii. Press the **OK** button to save the new setting.

iii. Next is **Sleep time interval**.

b. **Sleep time interval:**

If you set the **sleep time interval**, the display goes into **sleep mode** after the time selected.

- i. Press the **+** button or the **-** button to change the **time** (0 – 60 minutes).

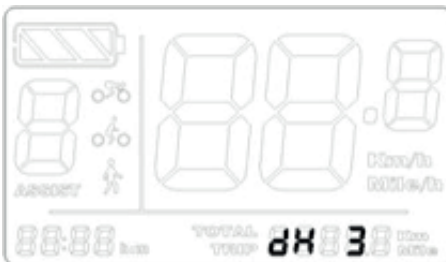


- ii. Press the **OK** button to save the new setting.

- iii. Next is **Power level**.

**c. Power level:**

- i. Press the **+** button or the **-** button to change the **power level**. The power level ranges from 2 to 9 levels (there is no level 0).



- ii. Press the **OK** button to save the new setting and exit this screen.

### 4.3.1.3 POWER INDICATOR FUNCTION

The power indicator shows the power status of the battery:



#### NOTICE

The power indicator flashes weakly in case of low battery power.

### 4.3.1.4 DISTANCE FUNCTION

1. Press the  button to shift between TRIP and TOTAL.




2. Press and hold the  button and the  button to clear the TRIP distance.

### 4.3.1.5 WALK ASSIST FUNCTION

#### NOTICE

- This function is intended for walking alongside the bike with more ease.
- The Walk assist function cannot be used while riding the bike.



1. Press and hold the  button to start the **Walking assist** function.
2. The walking symbol shows on the display.



Walk assist function

3. The rear hub motor drives the bicycle at 6 km/h.

### 4.3.1.6 REAR AND FRONT LIGHT

1. Press and hold the  button to turn on the rear light and the front light of the bike.
2. Press and hold the  button again to turn on the rear light and the front light of the bike off.

## 4.3.1.7 ERROR CODES

In the event of an error, an error code shows on the **LCD display** and the motor stops. Once the error is solved, the motor starts working again.

ERROR CODE	DEFINITION
04	Throttle not returning to zero state
05	Throttle abnormality
06	Low voltage protection
07	Over voltage protection
08	Hall sensor abnormality
09	Phase line abnormality
10	Controller overheat
11	Temperature sensor in controller abnormality
12	Current sensor abnormality
21	Speed sensor abnormality
22	Communication abnormality in BMS

#### 4.4 USING THE GEAR SHIFTER

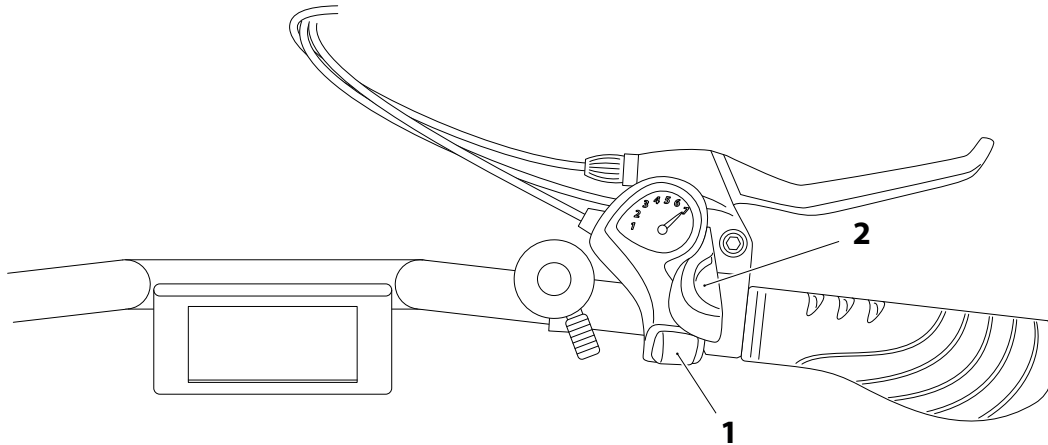
The Knaap bike has a 7-gear shifter, so you can pedal comfortably no matter what the terrain. Use an easier gear (1 is the easiest) on hills or when you're riding into the wind. Use a harder gear (7 is the hardest) on flats or if the wind is blowing from behind. When you shift, keep pedalling but ease up on the pedals, especially on hills. If you are pushing hard or if you stop pedalling completely, the chain can skip or fall off.

1. Press the **gear up button** ① to shift into an easier gear.
2. Press the **gear down lever** ② to shift into a harder gear.





## TIP

- For smoother shifting, pedal lightly while using the **gear shifter**. Do not backpedal.
- If you are pedalling too fast, and there is not enough resistance, shift into a harder gear. You will also go faster.
- If you are pedalling too slow, and it is hard to turn over the pedals, try shifting into an easier gear.



## 4.5 USING THE LIGHTING SYSTEM

### 4.5.1 FRONT LIGHT AND REAR LIGHT

1. Make sure that the **battery** and the **LCD display** are switched on.
2. Press the  **button** to switch on the lights.
3. Press the  **button** to switch off the lights.

### 4.5.2 REFLECTORS

The bike has three types of reflectors:

- Reflectors attached to the wheels
- Reflectors on the pedals
- Reflector on the back side of the battery

## 4.6 RECOMMENDATIONS FOR FIRST-TIME EBIKE RIDERS

### 4.6.1 GETTING ACQUAINTED WITH THE BIKE

Take some time to familiarize yourself with the Knaap bike and its special features. First make sure that you read and understand the user instructions, then go for a ride! The following safety aspects in particular must be considered:

- Given the comparatively high speed, a correct braking technique is essential. So test your brakes and how to brake on a parking lot for example, before you start riding in traffic.
- To ensure a good travelling range and stability when going round bends, your tires must be in a good condition and have the correct pressure. Check the sidewall of your tires for the minimum and maximum pressure recommended. Take into account the weight of the drive unit and the battery when pumping up the tires.
- The Knaap bike is powered by a 36 V, 21 Ah lithium-ion battery. The battery is a critical component and one of the most expensive components to replace. Make sure that you follow our recommendations to maximize the service life of your battery. See *section 4.1 Using the battery*.

### 4.6.2 MECHANICAL SAFETY CHECK BEFORE RIDING

TASK	INSTRUCTIONS
<p><b>Check for loose nuts and bolts</b></p>	<ol style="list-style-type: none"> <li>1. Straddle the bike and lift the front wheel approximately 5 cm (3 inches) off the ground.</li> <li>2. Release the bike and allow the front wheel to drop and bounce.</li> <li>3. Listen for any rattling: This may indicate that some parts are loose.</li> <li>4. Repeat the same process for the rear wheel.</li> <li>5. Tighten any loose nuts and bolts. Do not forget to check the foot rests, and the park stand.</li> </ol>
<p><b>Checking the wheel and tires</b></p>	<ol style="list-style-type: none"> <li>1. Make sure that the tires are inflated to the required pressure and in good condition. The required pressure is stated on the tire. Take into account the weight of the drive motor and the battery.</li> <li>2. Slowly rotate each wheel:             <ol style="list-style-type: none"> <li>a. Inspect the side walls and threads of the tire. Look out for cracks and objects that may be stuck in the outer layer.</li> <li>b. If the wheel wobbles or appears to be off-center, your wheel must be trued. Consult a skilled technician.</li> <li>c. Check the rims. Damage to the rim causes weak spots and can result in a faulty wheel over time.</li> </ol> </li> </ol>

TASK	INSTRUCTIONS
<p><b>Check the brakes</b></p>	<p><b>EU: The rider's right brake is the rear brake and the rider's left brake is the front brake. UK: The rider's left brake is the rear brake and the rider's right brake is the front brake.</b></p> <ol style="list-style-type: none"> <li>1. While stationary: Squeeze each brake lever to make sure that there is resistance.</li> <li>2. If there is no resistance: The brakes must be tightened.</li> <li>3. If there is too much resistance or the brakes make a squealing sound: The brakes must be loosened.</li> <li>4. If required: See <i>section 5.3 Adjusting the brakes</i> for more information.</li> </ol>
<p><b>Check the handlebar grips</b></p>	<p>Check for cracks, cuts or signs of wear: These can all have an impact on how the grip is fitted onto the handlebars. Loosely fitted handlebar grips can slip off, potentially resulting in loss of control and falling.</p>
<p><b>Check the battery</b></p>	<ol style="list-style-type: none"> <li>1. Make sure that the battery is securely connected and locked to the bike.</li> <li>2. Check the battery charge status.</li> </ol>
<p><b>Checking the cables</b></p>	<p>Check the exposed cables for cracks, cuts or signs or wear.</p>

## 5 MAINTENANCE

In order to keep your bike in a good shape it must be inspected and maintained at regular intervals. This can be done either by yourself or a skilled technician. Also make sure that you clean your bike regularly. It doesn't take long and it gives you the chance to spot any faults before they develop into anything serious.

### CAUTION

**Before you carry out any maintenance tasks:**



- **ALWAYS** remove the battery. Make sure that the ON/OFF button of the battery is in the OFF position before moving the battery.
- **ALWAYS** make sure that the cables are in a good condition:
  - **NEVER** bend cables beyond their bending radius.
  - **ALWAYS** make sure that the cables are routed and connected correctly.
  - **ALWAYS** make sure that the cables do not have any signs of damage, such as pinching, nicks, crushing, exposed conductors, punctures or thinning.
- **NEVER** touch the brakes or the rotor during or immediately after use. These can get very hot and cause injuries.
- **ALWAYS** avoid lubricant, degreaser and brake fluid getting on the rotor or the brake pads. Never touch these components with your bare hand.
- **ALWAYS** check the mechanical components subject to wear and tear. Cracks, scratches or color change in highly stressed areas indicate that the part has reached the end of its useful life and must be replaced.

## 5.1 CLEANING THE BIKE

If you clean your bike regularly, you are more likely to detect weak spots that might develop into a serious issue later.

### NOTICE

**Risk of damage. Do NOT use a high pressure cleaner. Water coming from a high-pressure hose can cause damage to the bearings of your bike. Water can also get into the electrical wiring, which can lead to short-circuits in the electrical system.**

1. Ideally the bike should be put in a work stand.
2. Make sure that the **ON/OFF button** of the battery is in the OFF position.
3. Remove the **battery**  from the bike. See *section 4.1.3 Removing the battery*. You may also want to remove the **LCD console** .
4. If the bike is very dirty: Carefully wash off the bike with a garden hose first.
5. Degrease the chain:
  - a. Soak a clean rag with degreaser.
  - b. Make sure that the degreaser gets on every link: Backpedal while you grasp the chain with the rag. The dirt will come off the chain.
  - c. Repeat until the chain is clean.

- d. Dry the chain.
- 6.** Clean the drivetrain:
- a. Use a clean rag to clean between chainrings, cogs and other hard-to-reach parts.
  - b. Scrub the chainrings. Use a brush to get into the hard-to-reach parts.
  - c. Rinse with a gentle stream of water.
  - d. Moisten the cassette with water with bike cleaner and scrub it clean.
  - e. Rinse with a gentle stream of water.
- 7.** Clean the frame:
- a. Wash off the frame with a sponge moistened in water with bike cleaner.
  - b. Clean the brake pads.
- 8.** Clean the wheels:
- a. Wash off each wheel with a brush moistened in water with bike cleaner.
  - b. Clean the area around the valve, scrub all the way around the wheel, clean the spokes and the wheel hub.
  - c. Repeat this process for the other wheel.
- 9.** Wash off the bike with clean water.
- 10.** Wipe everything dry with a dry clean cloth or let your bike air-dry in the sun.
- 11.** Lubricate the chain of the bike. See *section 5.4 Lubricating the bike*.



## 5.2 ADJUSTING THE CHAIN TENSION

### TOOLS/MATERIALS REQUIRED

#### Knaap toolkit

1. Put your bike on a bike stand. The wheels should be up in the air; otherwise it is difficult to tighten the bike chain.
2. Carefully loosen the axle nuts that are holding your rear wheel onto the bike. This loosens the rear wheel, allowing you to adjust the tension on the chain.
3. Carefully pull back on the rear wheel. This increases the tension on the chain.
4. Check whether the tension is correct: The maximum play allowed when moving the chain is 1 cm or half an inch in either direction.
5. If you the chain has more play than 1 cm / 0.5 inch in either direction: Pull back on the rear tire a bit more.
6. When you reached the ideal chain tension: Tighten the axle nuts one by one.
7. Make sure that the wheel is correctly installed on the bike.

**⚠ CAUTION**

**While tightening the rear axle nuts: Always check the rear wheel position. The rear wheel must never touch the chain or the bike frame.**

8. If you feel that the tension of the chain is still not adjusted properly, you may need to adjust the B screw. Contact a skilled technician for assistance, if needed.

### 5.3 ADJUSTING THE BRAKES

**Tools/Material required:**

- Allen key 5mm ①4

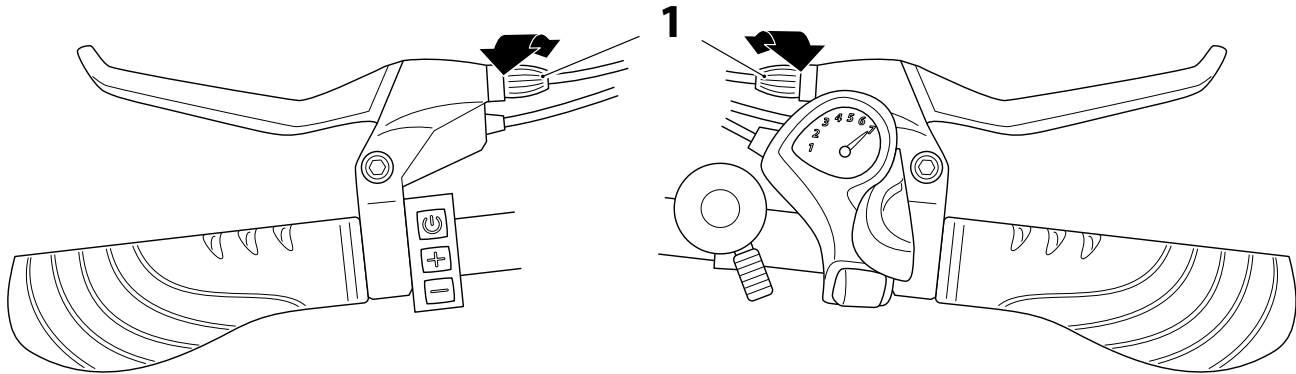
**NOTICE**

**The adjustment procedure is the same for the front and the rear brake.**

**If the brakes feel too tight or too loose:**

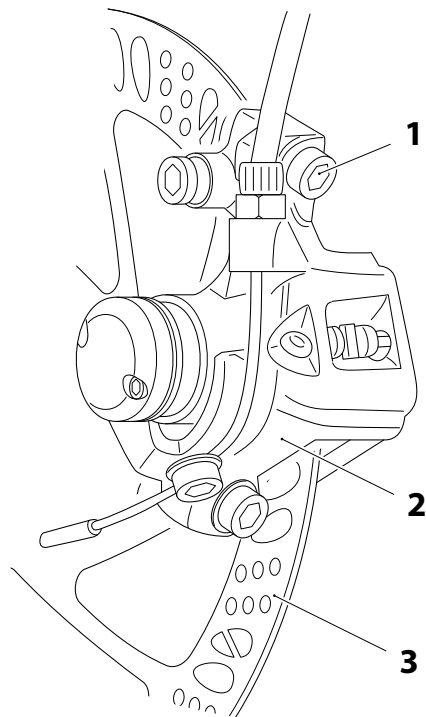
**TIP: A two fingers length is needed between the handlebar and the brake lever when you squeeze. If this is not the case, the brake must be adjusted.**

1. Twist the **barrel adjuster** ①:
  - a. pull the **barrel adjuster** outwards to tighten, or
  - b. push the **barrel adjuster** inwards to loosen.
2. If this does not help, you may need to further adjust the brake pads.



**If you need to adjust the brake pads:**

1. Make sure that the **wheel** is well-centered.
2. Loosen the **mounting bolts** ① until the **caliper body** ② is free to move from side to side. Do NOT remove the **mounting bolts** completely.
3. Squeeze the **brake lever**. This centers the **caliper body** ② over the **rotor** ③.



4. While holding the lever:
  - a. Start fastening the two bolts.
  - b. Squeeze the brake lever.
  - c. Spin the wheel to test the pad rub. If there is no rubbing, the pads are aligned.
  - d. Secure the mounting bolts to full torque.
5. If there is still some rubbing, you will need to do some fine tuning: loosen one bolt at a time until there is a gap on each side of the rotor.
6. Spin the wheel and check if the rotor is well-centered.
7. If you are still experiencing problems, contact a skilled technician.

## 5.4 LUBRICATING THE BIKE

### Tools/Material required:

- Bike lubricant (not included)
  - Silicone cleaning spray (not included)
  - All season chain oil (not included)
1. Ideally the bike should be put in a work stand.
  2. Make sure that the bike is clean and that the drive chain is degreased. See *section 5.1 Cleaning the bike*.

LUBRICATION POINT	INSTRUCTION
<b>Chain</b>	<ol style="list-style-type: none"><li>1. Put a drop of lubricant on each link, while you backpedal slowly for a few rotations.</li><li>2. Wipe off the excess of lubricant.</li></ol> <p><b>TIP: Not wiping off the excess of lubricant attracts more dirt to the chain. Never use motor oil.</b></p>
<b>Cables</b>	<p><b>Brake cable (rear and front):</b></p> <ol style="list-style-type: none"><li>1. Release the cable from its stop.</li><li>2. Squeeze the brake lever.</li><li>3. Pull on the housing and slide it through the barrel adjuster until the inner wire is exposed.</li><li>4. Carefully put a few drops of oil onto the inner cable just where it runs down into the housing.</li></ol> <p><b>TIP: Use a lubricant that distributes itself evenly.</b></p>

## LUBRICATION POINT

## INSTRUCTION

### **Rear shift cable:**

1. Shift the gears until the chain is on the largest sprocket, and then stop the wheel from rotating.
2. Shift your shifter all the way in the opposite direction, as if you were going to shift to the smallest sprocket.
3. The rear derailleur should now be stuck on the largest sprocket. This will give you enough slack to fully release the cable from the frame.
4. Pull the upper section of the outer cable down leaving a section of inner cable exposed.
5. Carefully put a few drops of lubricant onto the inner cable just where it runs down into the housing.
6. Reconnect the outer housing.
7. Pull the lower section of the housing free from the frame, and slide it away from the derailleur.
8. Repeat the lubrication process and reconnect the housing.
9. Don't forget to move your rear shifter back to the largest sprocket before rotating the rear wheel.

LUBRICATION POINT	INSTRUCTION
<b>Pivot points</b>	<ol style="list-style-type: none"> <li>1. Drip lubricant onto each pivot point: <ul style="list-style-type: none"> <li>• rear derailleur</li> <li>• rear brake</li> <li>• front brake</li> </ul> </li> <li>2. Wipe off any excess of lubrication so it doesn't attract dirt.</li> </ol> <p><b>TIP: Lubricate the pivot points every few months, especially if you ride in wet weather conditions.</b></p>
<b>Derailleur pulleys</b>	<ol style="list-style-type: none"> <li>1. Wipe off the grime from your derailleur pulleys with a clean rag and degreaser.</li> <li>2. Then apply a small drop of lubricant to the bearings at the center of the pulley.</li> <li>3. Backpedal a few revolutions.</li> <li>4. Use a clean rag to wipe off any excess of lubrication.</li> </ol> <p><b>NOTICE Never use grease.</b></p>



## 5.5 MAINTENANCE SCHEDULE

EVERY RIDE	MONTHLY 500 KM / 600 MI	SIX MONTHS 1,500 / 930 MI	YEARLY 4,500 KM / 2,800 MI
Check your tire pressure and inflate as needed. The required pressure is marked on the side wall of the tyre.	Clean your bike (see section 5.1 <i>Cleaning the bike</i> ) and inspect the frame/components for cracks and wear.	Clean your bike (see section 5.1 <i>Cleaning the bike</i> ) and inspect the frame/components for cracks and wear.	Inspect the pedals, add fresh grease, and check the bearings.
Check your tires for debris, thorns, etc. These can cause a flat.	Check the tightness of the crank arms, pedals, chainring bolts, stem/handlebar bolts, and any other mounting bolts.	Check the tires for wear and replace as needed.	Check the tires for wear and replace as needed.
Make sure that the quick-releases and axle bolts on the wheels are tight and secure.	Check all cables and cable housings for wear, kinks, rust and fraying. Replace as needed and lubricate good cables/housing at entry/exit points.	Check the bearing systems (hubs, bottom bracket, headset) for play and/or grinding and grumbling. Replace or adjust as needed.	Check the bearing systems (hubs, bottom bracket, headset) for play and/or grinding and grumbling. Replace or adjust as needed.

EVERY RIDE	MONTHLY 500 KM / 600 MI	SIX MONTHS 1,500 / 930 MI	YEARLY 4,500 KM / 2,800 MI
<p>Lifting the front and rear of the bike, spin each wheel while looking for wobbles and rim damage. Wobbly wheels should be centered by a skilled technician.</p>	<p>Check the wheels for loose or damaged spokes.</p>	<p>Check the brake pads for wear and replace as needed. Also check for worn grips and replace as needed.</p>	<p>Check the brake pads for wear and replace as needed. Also check for worn grips and replace as needed.</p>
<p>Check your brake pads for wear and make sure that they are making firm contact with either the rim or the brake disc.</p>	<p>Maintain, lubricate, and service your suspension components.</p>	<p>Check all cables and cable housing for wear, kinks, rust and fraying. Replace as needed and lubricate good cables/housing at entry/exit points.</p>	<p>Check all cables and cable housing for wear, kinks, rust and fraying. Replace as needed and lubricate good cables/housing at entry/exit points.</p>

EVERY RIDE	MONTHLY 500 KM / 600 MI	SIX MONTHS 1,500 / 930 MI	YEARLY 4,500 KM / 2,800 MI
<p>Check the suspension fork (and shock) for compression and release, and make sure that there is no flex or play in the suspension.</p>		<p>Check the cassette and the chainrings for wear; check the chain for wear, tight links, and bent links. Also check the derailleur cage for damage. Replace drivetrain parts as needed.</p>	<p>Maintain, lubricate, and service your suspension components.</p>
<p>Check the chain for cleanliness. Clean if dirty, lubricate if dry.</p>		<p>Maintain, lubricate, and service your suspension components.</p>	

## 5.6 TORQUE SETTINGS

The following table shows the torque settings for the bolts of the Knaap bike.

Caliper mounting bolts	68 Nm
Crank bolts	46 Nm
Gear shifter nuts	4 Nm
Mudguard bracket nuts	8 Nm
Rear wheel axle nut	35 - 45 Nm
End nut of front wheel quick release	Min. 18 Nm
Handlebar clamp nuts	5 - 6 Nm
Brake lever nuts	10 - 12 Nm
All other nuts	Check the nut diameter: <ul style="list-style-type: none"> <li>• M4: 2.5 - 4.0 Nm</li> <li>• M5: 4.0 - 6.0 Nm</li> <li>• M6: 6.0 - 7.5 Nm</li> </ul>

## 6 TRANSPORT AND STORAGE

### 6.1 TRANSPORTING THE BIKE AND THE BATTERY


#### **⚠ CAUTION**

**Risk of damage. Due to its size, shape and weight we do not recommend carrying the bike on the roof of a passenger car.**

#### **⚠ DANGER**

**Risk of fire. Appropriate measures must be taken when transporting the battery.**


#### 6.1.1 TRANSPORTING THE BIKE

1. Make sure that the **ON/OFF button** of the battery is in the **OFF** position.
2. Remove the **battery**  from the bike. See *section 4.1.3 Removing the battery*.
3. If you are shipping the bike by plane, boat, truck or train:
  - a. Choose the shipping container: cardboard box, soft shell case or hard shell case.
  - b. Disassemble the bike.
  - c. Wrap the fragile pieces, such as the derailleur, the lighting and the pedals in a protective cover.

- d. Put the bike components in the shipping container.
- e. Shake the shipping container and listen for any rattling noise. If you hear a rattling sound, review your work.

4. Arrange for the bike to be picked up or bring it to a pick-up location.

### 6.1.2 TRANSPORTING THE BATTERY

1. Make sure that the **ON/OFF button** of the battery is in the **OFF** position.
2. Remove the **battery**  from the bike. See *section 4.1.3 Removing the battery*.
3. Pack the battery in a case designed to keep it safe in transit.
4. If you are shipping the battery by plane, boat, truck or train: Check with your carrier for the latest regulations.

## 6.2 STORING THE BIKE

There are a few main things to consider when storing the bike for a longer period of time:

- Wash the bike thoroughly. Clean grease and oil key components like the chain and the cassette. See *section 5.1 Cleaning the bike* for more details.
- Make sure that the battery is only charged to approximately 60% for storage. Check your battery regularly. If the charge drops, recharge the battery to about 60%. Do not let the battery discharge completely.

- Make sure that the **ON/OFF button** of the battery is in the **OFF** position.
- Store the bike in a dry area. Storing the bike indoors is ideal, but if you are storing your bike in an outside shed or a garage that will go below freezing temperatures, remove the battery from the bike and bring it inside. Also keep in mind that temperature changes can cause condensation, with rusted bike components and corroded battery connectors as a result.

## 7 PROBLEM SOLVING

ISSUE	CAUSE	SOLUTION
The <b>headlight / rear light</b> is not working.	The battery is empty.	<ul style="list-style-type: none"> <li>- Check the battery status.</li> </ul>
	The cables are not installed/connected correctly or the cables are worn.	<ul style="list-style-type: none"> <li>- Check the wiring.</li> <li>- Check the electrical contacts. Contact your retailer or a skilled technician.</li> </ul>
	One or more LEDs are broken	<ul style="list-style-type: none"> <li>- One or more LEDs must be replaced. These can be ordered at your local Knaap retailer or at <a href="http://knaapbikes.com">knaapbikes.com</a>.</li> </ul>
The <b>brakes</b> are not functioning properly (squealing, too tight, no resistance...).	The brake pads are not adjusted correctly.	<ul style="list-style-type: none"> <li>- Check the brake cable.</li> <li>- Contact your retailer or a skilled technician.</li> </ul>
	The brake pads may be worn.	<ul style="list-style-type: none"> <li>- Adjust the brake pads. See <i>section 5.3 Adjusting the brakes</i>.</li> <li>- Replace the brake pads.</li> <li>- Contact a skilled technician, if needed.</li> </ul>
	The wheel is not well-centered or wobbles.	<ul style="list-style-type: none"> <li>- Your wheel must be centered. Contact your retailer or a skilled technician.</li> </ul>





ISSUE	CAUSE	SOLUTION
The <b>hub motor</b> is not starting.	The battery is empty.	<ul style="list-style-type: none"> <li>- Charge the battery. See section 4.1.2 <i>Charging the battery.</i></li> </ul>
	The battery terminals are not lubricated sufficiently.	<ul style="list-style-type: none"> <li>- Lubricate the battery terminals.</li> <li>- Contact a skilled technician, if needed.</li> </ul>
The <b>bike</b> is vibrating while in use.	The wheels are not in line with each other.	<ul style="list-style-type: none"> <li>- Adjust the wheels.</li> <li>- One of the wheels or both may need to be trued.</li> <li>- Contact your retailer or a skilled technician.</li> </ul>
The <b>bike</b> is not reaching its maximum speed.	The battery is nearly empty.	<ul style="list-style-type: none"> <li>- Fully charge the battery.</li> <li>- If this does not work, maybe the battery needs replacement.</li> </ul>

ISSUE	CAUSE	SOLUTION
The <b>bike range</b> is not sufficient.	The tires are not fully inflated.	- Inflate the tires.
	The charging process was interrupted or the charger is not working correctly.	- The battery or the charger must be replaced. Contact your retailer or a skilled technician.
	The battery is damaged or reached the end of its service life.	- Replace the battery.
	Frequent braking, starting off, overloading.	- Replace the battery.
The <b>charger</b> is not charging.	The wiring of the charger wiring is loose or damaged.	- Weld or replace the wiring. Contact your retailer or a skilled technician.
	The battery weld line falls off or is damaged.	- Weld or replace the wiring. Contact your retailer or a skilled technician.

ISSUE	CAUSE	SOLUTION
<p>The <b>battery</b> is not charging.</p>	<p>Check the power supplies.</p>	<ul style="list-style-type: none"> <li>- Check whether the AC power outlet is functioning.</li> <li>- Check whether the charger is working. When connected to the AC power outlet, the LED should light up <b>green</b>.</li> <li>- Check whether the battery has been connected correctly. Follow the correct sequence for connecting the battery: first connect the charger to the AC power outlet and then connect the battery to the charger. NEVER connect the battery to the AC power outlet directly.</li> <li>- Check whether the battery terminals are free from debris.</li> </ul>
<p>The <b>battery</b> is discharging very quickly.</p>	<p>The charging capacity of the battery is not sufficient any more.</p>	<ul style="list-style-type: none"> <li>- Replace the battery.</li> </ul>
<p>The <b>gears</b> are not changing smoothly enough.</p>	<p>The gear cable may be slack or overtightened.</p>	<ul style="list-style-type: none"> <li>- Check the gear cable.</li> <li>- The gear shifter may be broken: If so, replace the gear shifter.</li> <li>- Contact your retailer or a skilled technician.</li> </ul>

ISSUE	CAUSE	SOLUTION
<p>It takes time to shift from one gear to the other or the <b>derailleur</b> makes all sorts of noises.</p>	<p>The derailleur needs adjustment.</p>	<ul style="list-style-type: none"> <li>- Check whether the hanger of the derailleur is bent.</li> <li>- If the hanger is not bent: Adjust the H +, L bolt.</li> <li>- If the hanger is bent, you must replace the hanger first.</li> <li>- Contact your retailer or a skilled technician.</li> </ul>
<p>The <b>hub motor</b> does not start running, even with the ON/OFF switch of the battery and the ON/OFF switch of the LCD display in the ON position.</p>	<p>The speed controller is not working.</p>	<ul style="list-style-type: none"> <li>- Check the electrical contacts. Weld them if needed.</li> <li>- You may need to replace the speed controller. Contact your retailer or a skilled technician.</li> </ul>
<p>The <b>hub motor</b> is making a squeaking sound.</p>		<ul style="list-style-type: none"> <li>- Contact your retailer or a skilled technician.</li> </ul>
<p>The <b>hub motor</b> is holding back.</p>		<ul style="list-style-type: none"> <li>- Contact a skilled technician.</li> </ul>

ISSUE	CAUSE	SOLUTION
The <b>LCD display</b> is not showing the driving speed.	The speed sensor may not be installed correctly.	<ul style="list-style-type: none"> <li>- Check whether the speed sensor is correctly installed.</li> <li>- Check the attachment of the speed sensor. It must not be attached too tightly.</li> <li>- Do NOT attempt to reset parameters if the display is not working.</li> <li>- Contact your retailer or a skilled technician.</li> </ul>
The <b>LCD display</b> is not working.	The ON/OFF switch of the battery is OFF.	<ul style="list-style-type: none"> <li>- Check whether the ON/OFF switch of the battery is in the ON position.</li> </ul>
	The battery is not sufficiently charged.	<ul style="list-style-type: none"> <li>- Check whether the battery is charged sufficiently.</li> </ul>
	The relevant cables are not installed correctly or they are disconnected.	<ul style="list-style-type: none"> <li>- Check whether the cables are connected correctly. No cables should be exposed.</li> </ul>
	The speed sensor may not be installed correctly.	<ul style="list-style-type: none"> <li>- Check the attachment of the speed sensor. It must not be attached too tightly.</li> </ul>
	<ul style="list-style-type: none"> <li>- Do NOT attempt to reset parameters if the display is not working.</li> </ul>	

ISSUE	CAUSE	SOLUTION
The <b>LCD display</b> shows an error code.	A software error occurred.	<ul style="list-style-type: none"> <li>- Check the error code list.</li> <li>- Reset the LCD display: Press the  <b>button</b>, then unplug the display, leave the display unplugged for two minutes, plug it back in and press the  <b>button</b> to switch the display on again.</li> <li>- Contact your retailer or a skilled technician if this does not solve the error.</li> </ul>
The <b>pedal assist</b> function is not working.	One or more contacts of the induced cartridge are damaged.	<ul style="list-style-type: none"> <li>- Adjust the induced cartridge or replace it. Contact your retailer or a skilled technician.</li> </ul>
	The pedal assist wiring is damaged.	<ul style="list-style-type: none"> <li>- Reconnect the wiring of the pedal assist system or replace it.</li> <li>- Contact your retailer or a skilled technician.</li> </ul>
	The speed sensor is not installed correctly.	<ul style="list-style-type: none"> <li>- The speed sensor must be installed correctly</li> <li>- Contact your retailer or a skilled technician.</li> </ul>

## 8 ENVIRONMENT AND DISPOSAL

We care for the environment. By disposing the product, its packaging and its components in the proper manner, you help to avoid possible hazards for the environment and public health that could otherwise be caused by improper treatment of waste equipment. The recycling of materials contributes to the conservation of our natural resources.

### 8.1 DISPOSAL OF ELECTRONIC COMPONENTS

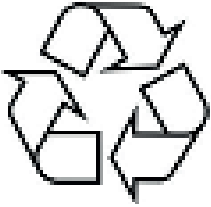


Old or worn parts have to be disposed of in the most environmentally friendly way, for example by bringing them to an acknowledged recycling centre. It is not allowed to dispose of electronic parts, accessories and components with unsorted municipal waste. These have to be recycled separately in an environmentally friendly way in accordance with the applicable legislation.



The lithium-ion battery of your Knaap bike, as all lithium-ion batteries, contains highly toxic chemicals that cannot be disposed of with your regular household waste. eBike battery recycling programs are being launched all over the world. Dutch consumers can dispose of their used and no longer proper functioning eBike batteries by bringing them back to their local bikeshop.

## 8.2 DISPOSAL OF PACKAGING MATERIAL



The packaging of the Knaap bike is mostly made of environmentally friendly materials. Dispose of the product packaging via a collection point for the recycling of plastics (bubble wrap) and paper (carton boxes). The foam protection sleeves are not always easy to recycle. In some areas options can be very limited, as not all recycling centres can handle or process this material. Please check with your local recycling center.



## 9 DISCLAIMER

Knaap bikes makes no representations or warranties with respect to this manual and, to the maximum extent permitted by law, expressly limits its liability for breach of any warranty that may be implied to the replacement of this manual with another. Furthermore, Knaap bikes reserves the right to revise this publication at any time without incurring an obligation to notify any person of the revision.

This manual contains general descriptions and/or technical characteristics of the performance of the product contained herein. This manual is not intended as a substitute for and is not to be used for determining the suitability or reliability of this product for specific user applications. Knaap bikes shall not be responsible or liable for misuse of the information that is contained herein. If you have any suggestions for improvements or amendments or have found errors in this publication, please notify us.

Copyright © 2020 by Knaap bikes

All rights reserved. No part of this publication may be reproduced, distributed, or transmitted in any form or by any means, including photocopying, recording, or other electronic or mechanical methods, without the prior written permission of the publisher.

## 10 TECHNICAL DATA

ITEM	SPECIFICATION
Model/type	Knaap AMS
Weight	28 kg
Load capacity	180 kg
Battery	Samsung li-ion 21ah 36V 756Wh
Charger	Charger Sans Electronic Input voltage: 110 - 240 VAC / 50-60 Hz Output voltage: 42 VDC
Rear hub motor	Bafang
LCD display	Bafang C961

## 11 MAINTENANCE FORMS

In order to keep your bike in a good shape it must be inspected and maintained at regular intervals. Fill in all details and make sure all maintenance checks are carried out, either by yourself or a skilled technician.

MODEL INFORMATION	
Model	
Frame number	
Serial number of the drive unit	
Serial number of the battery	
Serial number of the LCD display	
Serial number of the charger	
Name of the bike shop	
Date of purchase	

**OWNER CONTACT DETAILS**

Name

Address

Postal code + city

E-mail

Phone

## MAINTENANCE 500 KM / 310 MILES (OR AFTER 3 MONTHS)

Maintenance task

Repairs

Comments

Date and distance (km/miles)

Knaap bikeshop

Signed by

### MAINTENANCE 1,500 KM / 930 MILES (OR AFTER 6 MONTHS)

Maintenance task

Repairs

Comments

Date and distance (km/mileage)

Knaap bikeshop

Signed by

## MAINTENANCE 4,500 KM / 2,800 MILES (OR 12 MONTHS)

Maintenance task

Repairs

Comments

Date and distance (km/mileage)

Knaap bikeshop

Signed by

**MAINTENANCE 7,000 KM / 4,350 MILES (OR AFTER 24 MONTHS)**

Maintenance task

Repairs

Comments

Date and distance (km/mileage)

Knaap bikeshop

Signed by



## MAINTENANCE 9,500 KM / 5,900 MILES (OR AFTER 36 MONTHS)

Maintenance task

Repairs

Comments

Date and distance (km/mileage)

Knaap bikeshop

Signed by

**MAINTENANCE 14,500 KM (OR AFTER 42 MONTHS)**

Maintenance task

Repairs

Comments

Date and distance (km/mileage)

Knaap bikeshop

Signed by

## MAINTENANCE 17,000 KM (OR AFTER 48 MONTHS)

Maintenance task

Repairs

Comments

Date and distance (km/mileage)

Knaap bikeshop

Signed by

MAINTENANCE _____ KM / MI		
Maintenance task		
Repairs		
Comments	Date and distance (km/mileage)	
	Knaap bikeshop	
	Signed by	

MAINTENANCE \_\_\_\_\_ KM / MI

Maintenance task

Repairs

Comments

Date and distance (km/mileage)

Knaap bikeshop

Signed by

MAINTENANCE _____ KM / MI		
Maintenance task		
Repairs		
Comments	Date and distance (km/mileage)	
	Knaap bikeshop	
	Signed by	

MAINTENANCE \_\_\_\_\_ KM / MI

Maintenance task

Repairs

Comments

Date and distance (km/mileage)

Knaap bikeshop

Signed by

“Welcome to you, the newest member of the #KnaapSquad the exclusive club for Knaap Bike


Connect with us on social media #KnaapBikes and #KnaapSquad leave a picture, comment or review describing your awesome #knaapbikes experience.

Whether you're a professional sports star, social media superstar, fashionista or the coolest kid of whatever age on your block, we know your street credibility will go through the roof on your #KnaapBikes. This really is the most Instagramable bike ever.

So what are you waiting for? You have managed to get to the end of the instruction manual so now you should know everything about your bike.

Put on your coolest clothes, make sure you buckle up your helmet, call your best friend and head out on the road!

Live the life you love! “



**WWW.KNAAPBIKES.COM**



knaap bikes



knaapbikes

